

# ALFAMAK®

Gas Spring for Die



ALFAMAK  
E 06600 063  
Initial force 6800 daN  
2014/68/EU art. 3.3  
Max charge 150 bar  
20-80°C  
Use only gas N<sub>2</sub>  
WARNING  
PRESSURE INSIDE  
Do not modify  
or damage  
vent before service  
made in TURKEY  
www.alfamak.com

ALFAMAK  
E 01500 080  
Initial force 1500 daN  
2014/68/EU art. 3.3  
Max charge 150 bar  
20-80°C  
Use only gas N<sub>2</sub>  
WARNING  
PRESSURE INSIDE  
Do not modify  
or damage  
vent before service  
made in TURKEY  
www.alfamak.com

ALFAMAK  
E 05000 100  
Initial force 5000 daN  
2014/68/EU art. 3.3  
Max charge 150 bar  
20-80°C  
Use only gas N<sub>2</sub>  
WARNING  
PRESSURE INSIDE  
Do not modify  
or damage  
vent before service  
made in TURKEY  
www.alfamak.com

ALFAMAK  
E 00300 100  
Initial force 300 daN  
2014/68/EU art. 3.3  
Max charge 150 bar  
20-80°C  
Use only gas N<sub>2</sub>  
WARNING  
PRESSURE INSIDE  
Do not modify  
or damage  
vent before service  
made in TURKEY  
www.alfamak.com

ALFAMAK  
E 01000 080  
Initial force 1000 daN  
2014/68/EU art. 3.3  
Max charge 150 bar  
20-80°C  
Use only gas N<sub>2</sub>  
WARNING  
PRESSURE INSIDE  
Do not modify  
or damage  
vent before service  
made in TURKEY  
www.alfamak.com

ALFAMAK  
E 09500 125  
Initial force 9500 daN  
2014/68/EU art. 3.3  
Max charge 150 bar  
20-80°C  
Use only gas N<sub>2</sub>  
WARNING  
PRESSURE INSIDE  
Do not modify  
or damage  
vent before service  
made in TURKEY  
www.alfamak.com

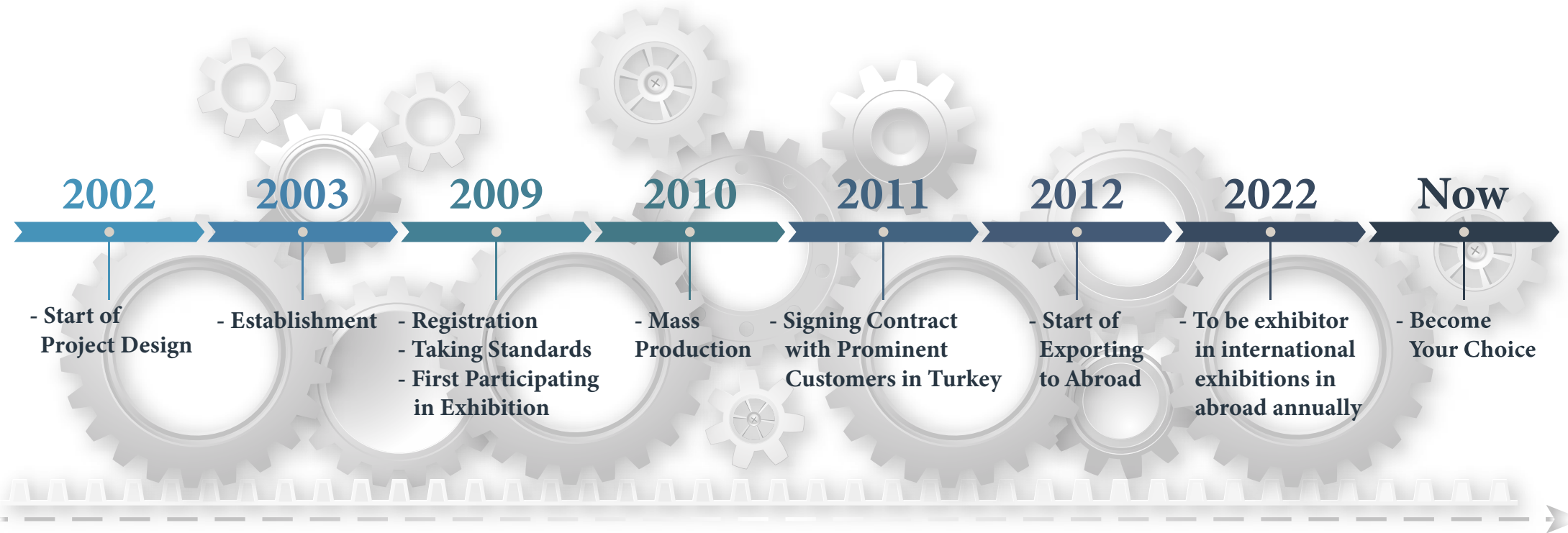
ALFAMAK  
E 04200 035  
Initial force 4200 daN  
2014/68/EU art. 3.3  
Max charge 150 bar  
20-80°C  
Use only gas N<sub>2</sub>  
WARNING  
PRESSURE INSIDE  
Do not modify  
or damage  
vent before service  
made in TURKEY  
www.alfamak.com

ALFAMAK  
E 01000 080 A  
Initial force 1000 daN  
2014/68/EU art. 3.3  
Max charge 150 bar  
20-80°C  
Use only gas N<sub>2</sub>  
WARNING  
PRESSURE INSIDE  
Do not modify  
or damage  
vent before service  
made in TURKEY  
www.alfamak.com

ALFAMAK  
E 02400 050  
Initial force 2400 daN  
2014/68/EU art. 3.3  
Max charge 150 bar  
20-80°C  
Use only gas N<sub>2</sub>  
WARNING  
PRESSURE INSIDE  
Do not modify  
or damage  
vent before service  
made in TURKEY  
www.alfamak.com

*Quality Leads!*

# COMPANY HISTORY



# ABOUT US

ALFAMAK®

Alfamak is located in Bursa/Turkey, with more than 20 years experience in manufacturing gas spring for die. Manufacturing of more than 13 series and 1085 types of gas springs with innovated ideas and high safety measurements is our profession.

ALFAMAK®

# ABOUT US



**1000 m<sup>2</sup>**

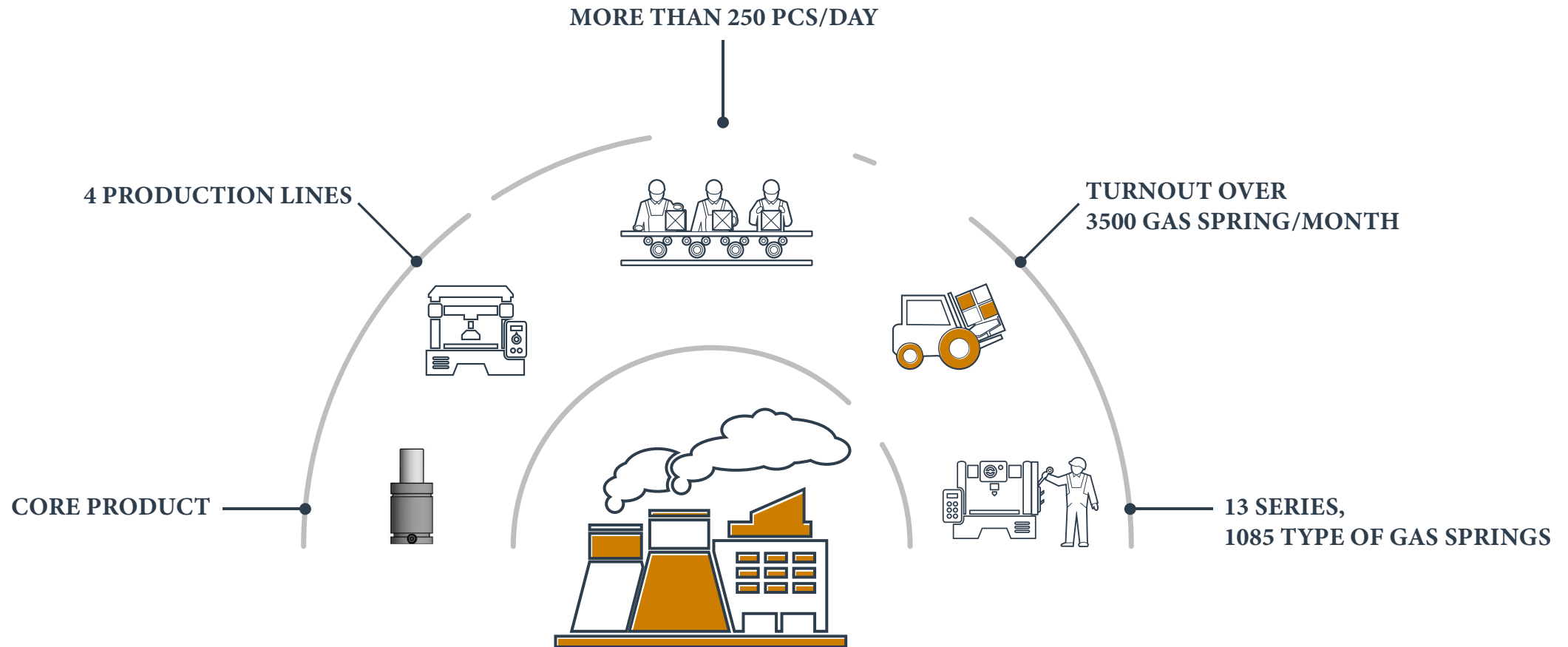


**25 employees**



**3 suppliers**

# ABOUT PRODUCTS

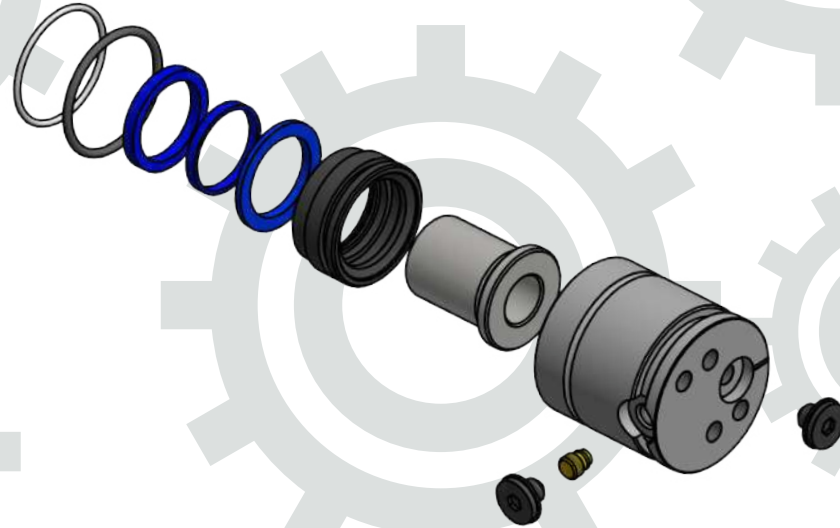


# TECHNOLOGIES

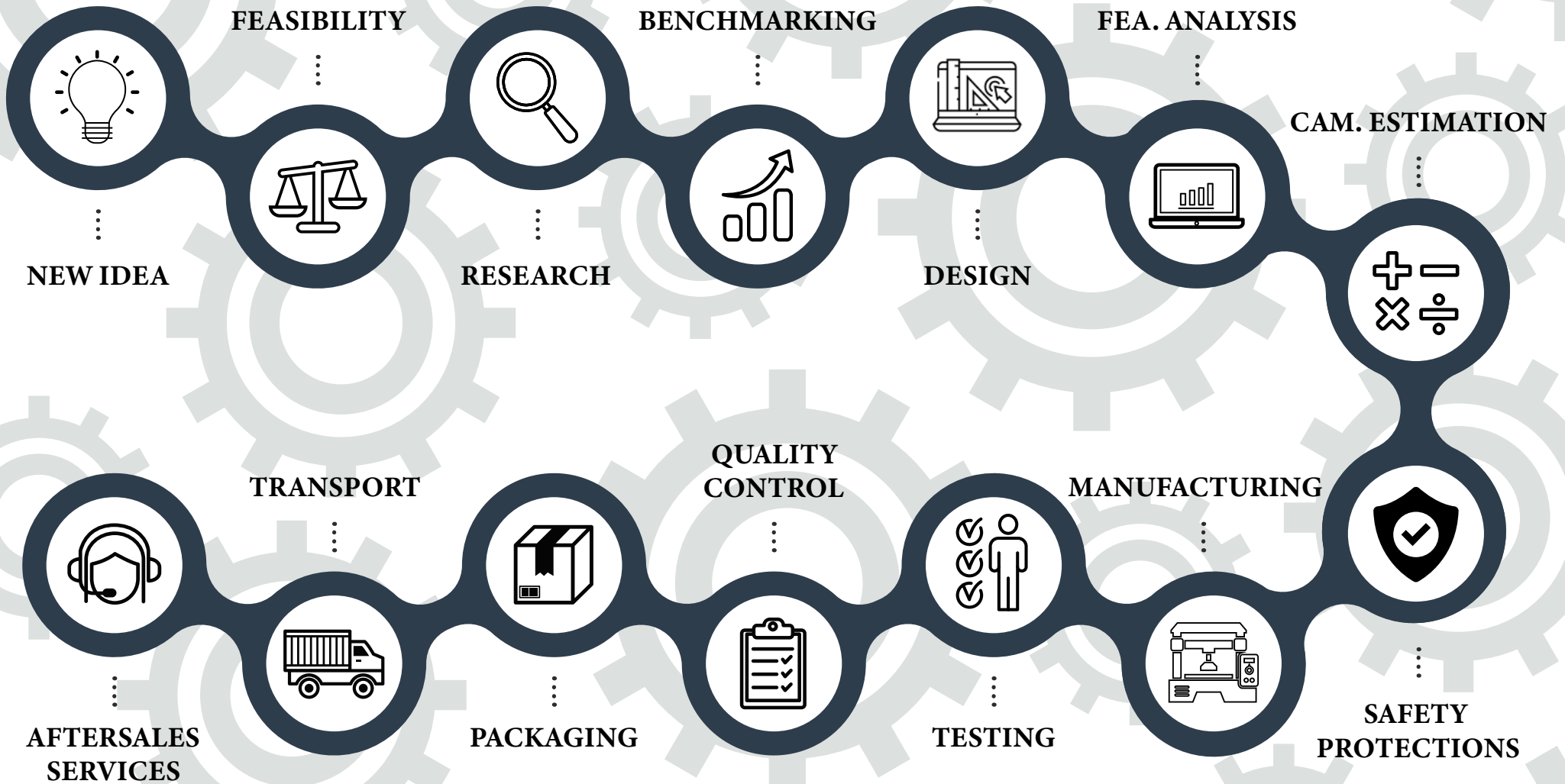
CAD

CAM

FEA



# PROCESS OF OUR JOB







# ALFAMAK'S QUALITY POLICY

ALFAMAK®

Alfamak's primary goal is to see the future with the help of our R&D team to maintain its quality standards at the maximum level and to present better products are two pieces of our quality policy.

ALFAMAK®

# OUR MISSION

ALFAMAK®



Our mission for a long time has been keeping the quality and safety at the top for every single part of our products. Delicate design, implementation of new innovated safety elements, development and manufacture are what we have done from many years ago.

# OUR VISION

Supplying the premium quality of gas springs worldwide with fastest delivery and technical support.



# OUR TEAM SUGGESTIONS

Experience

Performance

Leadership

Skills

Operations

Accurate  
Controller

# DESIGN SECTIONS

Customer Contact

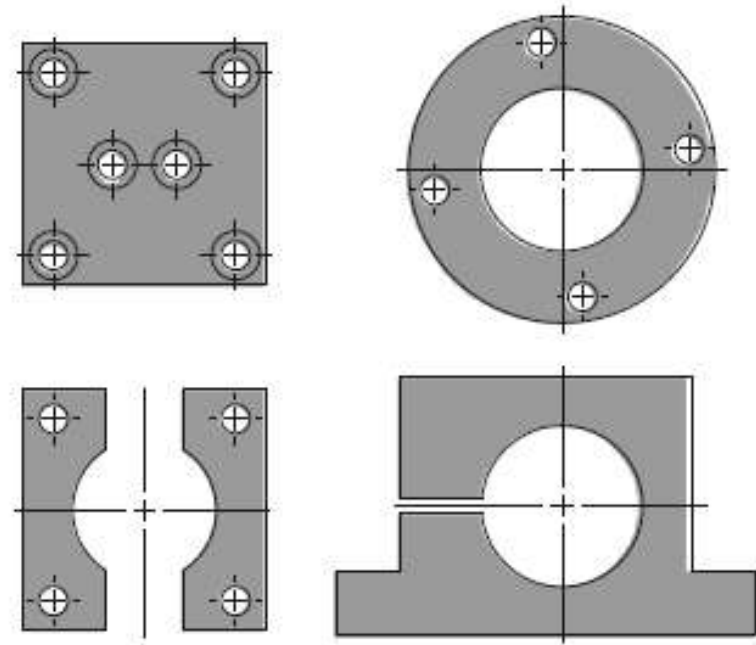
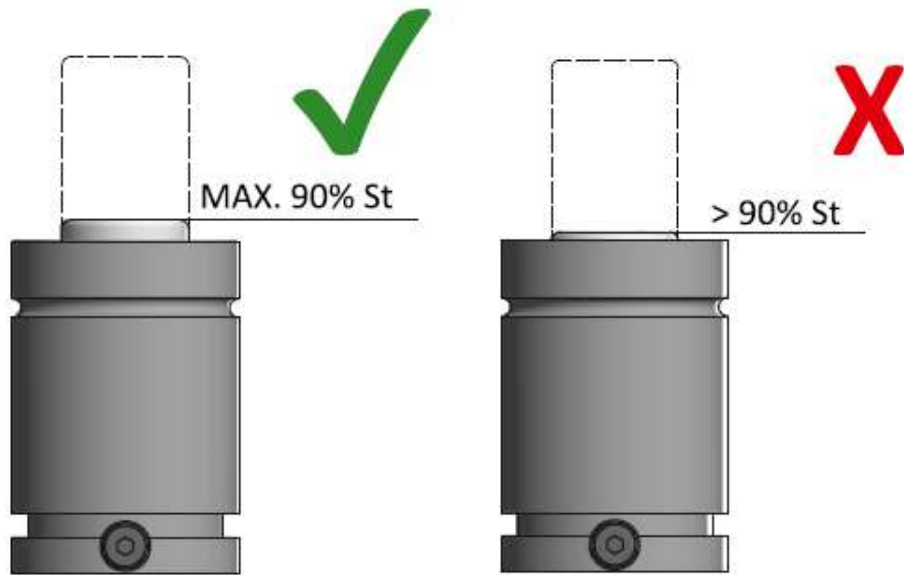
Concept

Sketching

Manufacturing

Test &  
Launch

# PROMINENT FEATURES



## SAFETY:

All gas springs are designed with safety distance from 1mm to 3mm.

## FIXING ELEMENTS:

We've solved our customers' problems by providing them the different suitable fixing elements.

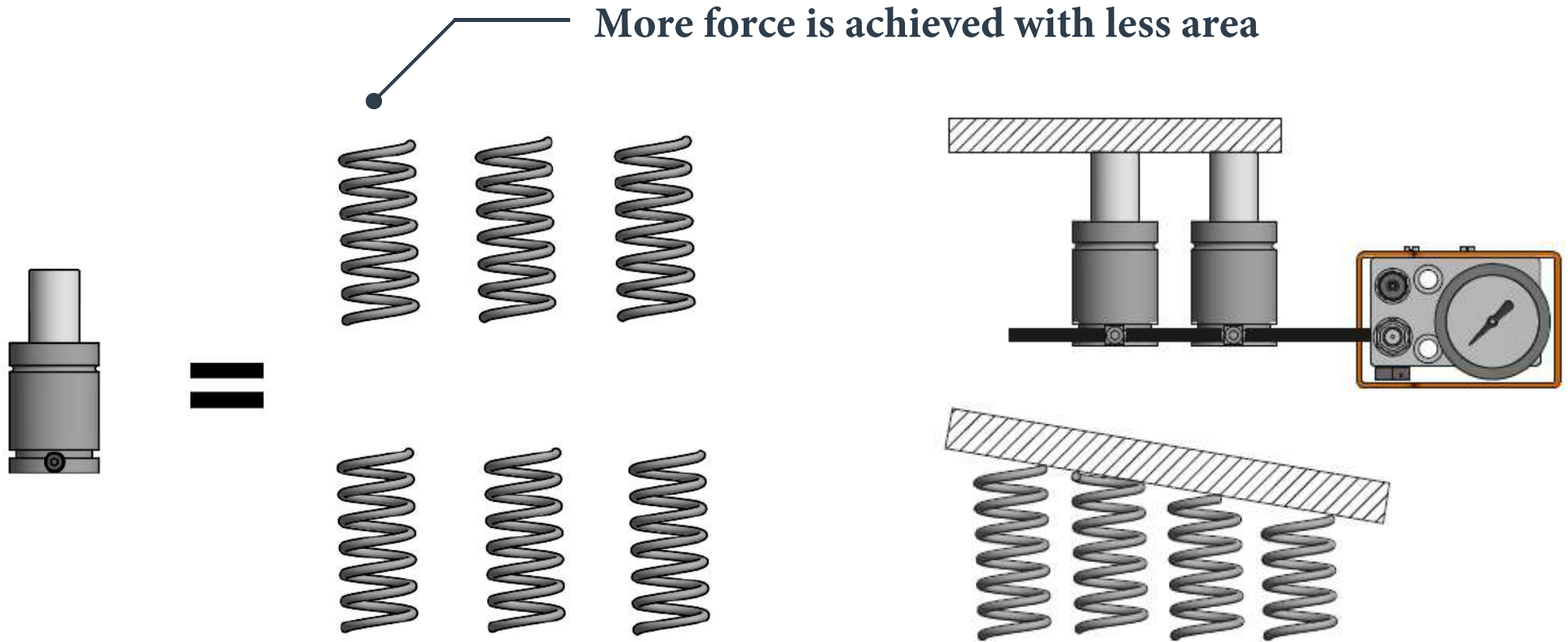
# PROMINENT FEATURES



## **LONG LIFE:**

Alfamak's gas springs have longer life in compare of other brands in the world.

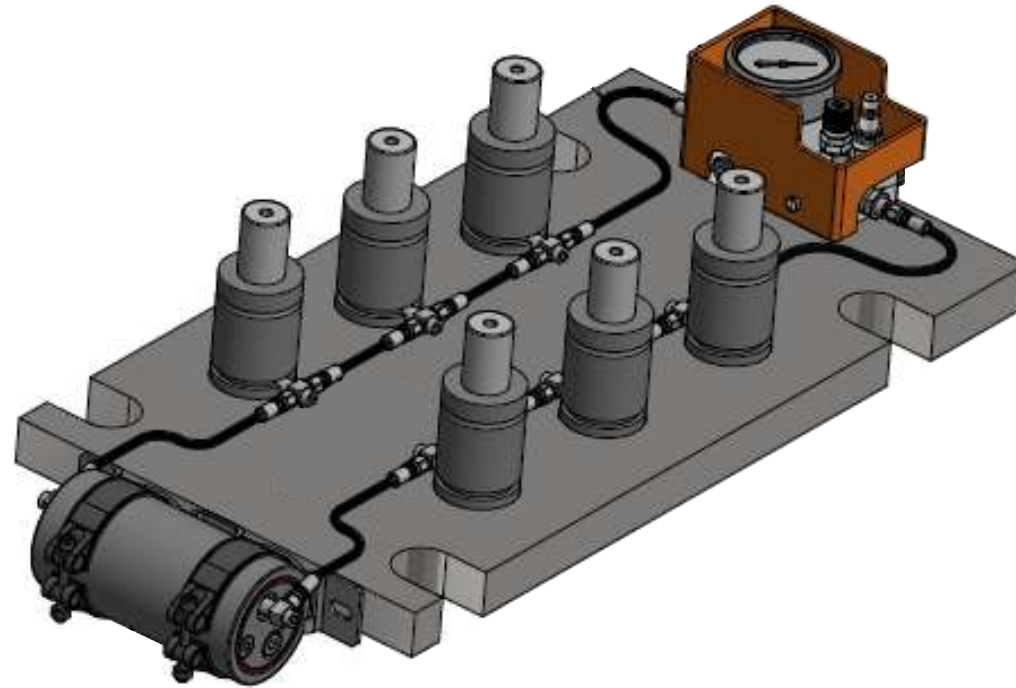
# PROMINENT FEATURES



Force is balanced in serial connection systems created with gas springs. The pressure value can always be seen on the system. Longer life is provided for the existing system.



# PROMINENT FEATURES



The Alfamak gas spring offers versatile functionality, allowing for independent or interconnected usage through appropriate connections. This enables precise force management and adjustment via a control panel, providing optimal balance for your specific requirements.

# PROMINENT FEATURES



Our engineering team diligently endeavored to craft Alfamak gas springs with a distinctive yet interchangeable design, ensuring seamless compatibility with other gas spring brands. This flexibility empowers customers to effortlessly substitute Alfamak gas springs with those of other manufacturers, all while adhering to rigorous international standards.

# OUR STANDARDS



TUV AUSTRIA 2019  
ZSTS/SWZE/3299



ISO 9001:2015  
ISO 10002:2018



CE 2354

# OUR REFERENCES



**TOFAŞ**

TÜRK OTOMOBİL FABRİKASI A.Ş.

**FIAT**



**Beyçelik  
Gestamp**



**COŞKUNÖZ  
HOLDİNG**



**METAL**



**PAYE<sup>®</sup>  
GROUP**



**sahince**  
• Otomotiv Sanayi ve Ticaret A.Ş.

**AYD**

**AUTOMOTIVE INDUSTRY**



**ARIKAN**  
AUTOMOTIVE • 1975

# OUR REFERENCES




# CONTACT US

To find out more about our products, please contact us via phone/email or visit our website. You can also contact our agent in Germany, Köln.

 **Alfamak Company Adress**  
No.17, 68th Ave, Nilufer Industrial Center, 16120 Nilufer, Bursa/ Turkey

 TR | +90 224 443 06 12

 DE | +49 (0) 155 1049 32 33

 Fax | +90 224 443 06 13

 [alfamak@alfamak.com](mailto:alfamak@alfamak.com)

 [export@alfamak.com](mailto:export@alfamak.com)



[www.alfamak.com](http://www.alfamak.com)



**ALFAMAK®**

*The result of 20 years of being your choice!*